

CELLE-EXTRA

rauch BLUE

UK
prices = GBP

article list
valid as of 01.03.2020

06.02.2020 CA
valid until 31.12.2020

 rauch
BLUE



Front colours:

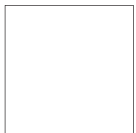


High polish white



High polish soft
grey

Carcase colours:



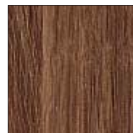
alpine white



Sonoma oak colour



Sanremo oak light
colour



Stirling oak colour



metallic grey

■ For extras see [rauch BLUE EXTRAS 2.0](#).



Quality
level



COLOUR CODE	FRONT COLOUR ▶	HIGH POLISH	
Carcase colour ▼		white	soft grey
Sonoma oak colour		A6L35	AK602
Stirling oak colour		AP515	AJ532
Sanremo oak light colour		A4P35	AM442
alpine white		-	A9R42
metallic grey		AJ815	AP802


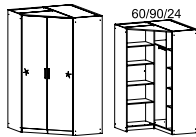
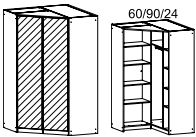
HANDLES ▶ ALUMINIUM COLOURED



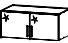

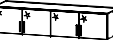
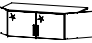
HINGED DOOR ROBES	Width in cm	47	47	47	91	91
	Drawing					
Name	hinged door wardrobe	hinged door wardrobe	hinged door wardrobe	hinged door wardrobe	hinged door wardrobe	hinged door wardrobe
Name	1-door	1-door, hinged left, 2 drawers	1-door, hinged right, 2 drawers	2-door	2-door, 4 drawers	2-door, 4 drawers
Dimensions (w/d)	↔47 cm ↗54 cm	↔47 cm ↗54 cm	↔47 cm ↗54 cm	↔91 cm ↗54 cm	↔91 cm ↗54 cm	↔91 cm ↗54 cm
HEIGHT 197 CM	▼ Art. no.	▼ Price	...	HEIGHT 197 CM		
	3103		3142	3143	3100	3144
HEIGHT 210 CM	▼ Art. no.	▼ Price	...	HEIGHT 210 CM		
	4866		4952	4953	4867	4954

HINGED DOOR ROBES	Width in cm	91	136	136	181	181
	Drawing					
Name	hinged door wardrobe	hinged door wardrobe	hinged door wardrobe	hinged door wardrobe	hinged door wardrobe	hinged door wardrobe
Name	2-door, 4 drawers	3-door	3-door	4-door	4-door, 8 drawers	4-door, 8 drawers
Dimensions (w/d)	↔91 cm ↗54 cm	↔136 cm ↗54 cm	↔136 cm ↗54 cm	↔181 cm ↗54 cm	↔181 cm ↗54 cm	↔181 cm ↗54 cm
HEIGHT 197 CM	▼ Art. no.	▼ Price	...	HEIGHT 197 CM		
	3145		0EL1	3146	0EL2	3147
HEIGHT 210 CM	▼ Art. no.	▼ Price	...	HEIGHT 210 CM		
	4956		0EL3	4967	0EL4	4968

COLOUR CODE	FRONT COLOUR ▶	HIGH POLISH	
Carcase colour ▼		white	soft grey
Sonoma oak colour		A6L35	AK602
Stirling oak colour		AP515	AJ532
Sanremo oak light colour		A4P35	AM442
alpine white		-	A9R42
metallic grey		AJ815	AP802

HANDLES ▶ ALUMINIUM COLOURED

HINGED DOOR ROBES	Width in cm	shelf unit	corner robe	corner robe		
	Drawing					
Name	shelf unit	hinged door corner robe	hinged door corner robe			
Name		2-door, walk-in	2-door, 2 mirror doors, walk-in			
Dimensions (w/d)	↔47 cm ↗33 cm	↔117 cm ↗117 cm	↔117 cm ↗117 cm			
HEIGHT 197 CM	▼ Art. no.	▼ Price	...	HEIGHT 197 CM		
	8415		3126	2210		
HEIGHT 210 CM	▼ Art. no.	▼ Price	...	HEIGHT 210 CM		
	8452		4890	5093		

TOP UNITS	Width in cm	47	47	91	136	181	corner
	Drawing						
Name	top unit	top unit	top unit	top unit	top unit	top unit	top unit
Name	1-door, hinged left	1-door, hinged right	2-door	3-door	4-door	2-door	
Dimensions (w/d)	↔47 cm †39 cm ↗54 cm	↔47 cm †39 cm ↗54 cm	↔91 cm †39 cm ↗54 cm	↔136 cm †39 cm ↗54 cm	↔181 cm †39 cm ↗54 cm	↔117 cm †39 cm ↗117 cm	
▼ Art. no.	▼ Price	...					
	3301	3302	3306	3307	3308	3309	

Extras for HINGED door wardrobes – Please order with colour code A0031

	Width 45 cm	Width 90 cm	Width 90 cm		Width 136 cm		Width 181 cm	
			left unit	right unit	left unit	right unit	left unit	right unit
 Wardrobe units	45	90	45	45	90	45	90	90
 Hanging rail	9737 ✓	9736 ✓	✗	9737 ✓	9736 ✓	✗	9736 ✓	✗
 Shelf	9601 ✓	9604 ✓	✗	9601 ✓	9604 ✓	✗	9604 ✓	✗
 Set of 3 shelves	9602 ✓	9605 ✓	✗	9602 ✓	9605 ✓	✗	9605 ✓	✗

For extras see [rauch BLUE EXTRAS 2.0.](#)

